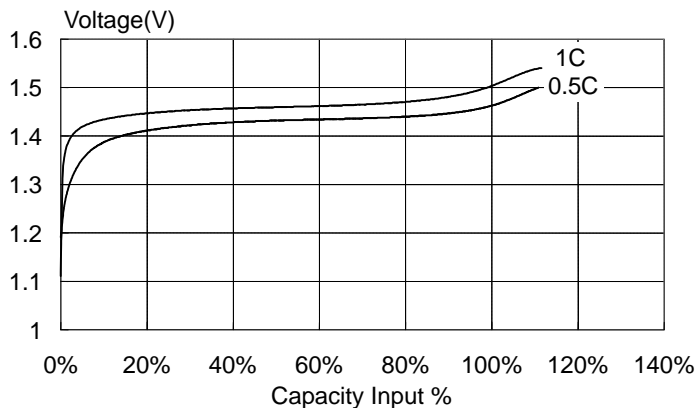


Type	: Rechargeable Nickel Metal Hydride Prismatic Batteries
Nominal Dimension	: T= 36.0mm+2/-0 H = 82.0mm +0/-2 W = 99.0mm +0/-2
Nominal Voltage	: 1.2 V
Capacity	: 30Ah at 15A (0.5C) discharge to 1.0V / cell at 20°C
Specific Energy	: 47Wh/kg at 0.5C discharge
Specific Power	: 137W/kg with 80% SOC at 3C 30 sec.
Energy density	: 116Wh/L at 0.5C discharge
Power density	: 338W/L with 80% SOC at 3C 30sec.
Charging Current	: 6A (0.2C) to 15A (0.5C) recommended
Charging Termination (Consult GP for other charging conditions)	: $-\Delta V$: 0mV/cell to 10mV/cell TCO : 45°C Timer : 100% nominal capacity input The above 3 charge termination controls must be used concurrently

Max. Charging Temp.	: Cell temperature must not exceed 45°C
Max. Charging Current	: 30A (1C) continuous (Consult GP for high current fast charge)
Max. Discharge Current	: 60A (2C) continuous 90A (3C) pulse for 5s
Service Life	: >1500 cycles (80%DOD at 1C)
Weight	: ~0.76kg
Internal Resistance	: <1.2mΩ
Ambient Temperature Range	: Charge : 0 to 45°C (conditionally) Discharge : -20°C to 50°C (conditionally) Storage : -20 to 35°C

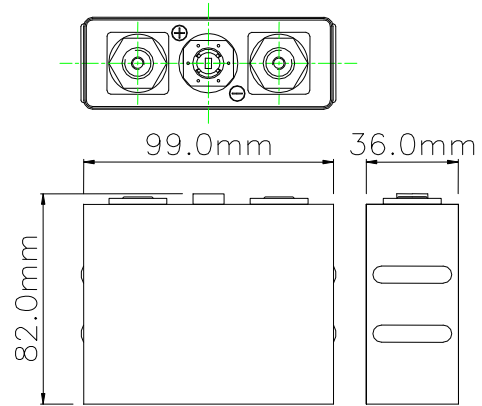
Charging Characteristics at 20°C



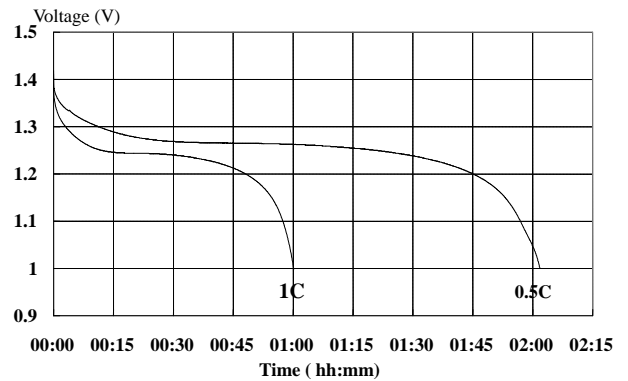
Remark: Clamping is necessary during charge and discharge for unit cell.

ERS0130 Rev01

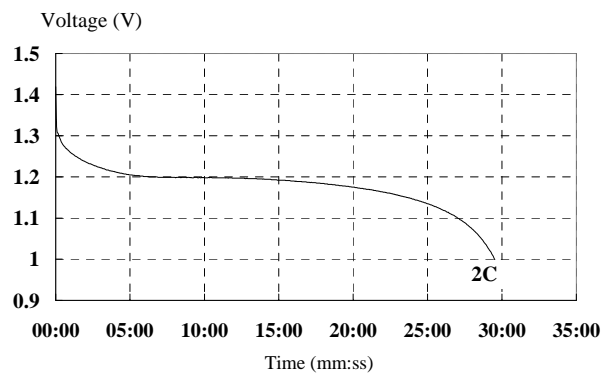
Model No.: GP30EVH



Low C-rate Discharge at 20°C



High C-rate Discharge at 20°C



The information (subject to change without prior notice) contained in this document is for reference only and should not be used as a basis for product guarantee or warranty. For applications other than those described here, please consult your nearest GP Sales and Marketing Office or Distributors.